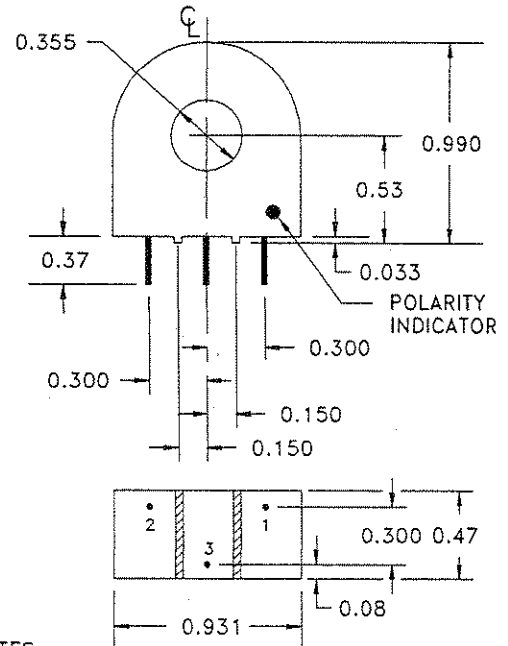


# 5A CURRENT TRANSFORMER, P/N 5301

ELECTRICAL SPECIFICATIONS	
PRIMARY CURRENT:	5 A NOM., 60A MAX.
URNS RATIO:	1000:1 NOMINAL
VOLT PER AMP RATIO AT 5 A, FOR 100 OHM LOAD :	0.100 V/A
VOLT PER AMP RATIO AT .5 A, FOR 100 OHM LOAD :	0.096 V/A
D.C.RESISTANCE AT 20°C :	39 OHMS
DIELECTRIC WITHSTANDING VOLTAGE (HI-POT):	4kV RMS.

MECHANICAL SPECIFICATIONS	
PARAMETER	
CUP	DAP, EPOXY OR RYNITE
ENCAPSULANT	EPOXY OR POLYURETHANE, LOW SHRINKAGE, HIGH RELIABILITY
FLAMMIBILITY	CONFORMS TO UL94-V0
TERMINALS	PC PINS, 0.031IN RD. OR 0.025IN SQ.
MARKING	AMECON, PART NUMBER, DATECODE, DOT AT START PIN.
APPROX. WEIGHT	0.034#
TOLERANCES:	.X: ±0.1    .XX: ±0.03    .XXX: ±0.01

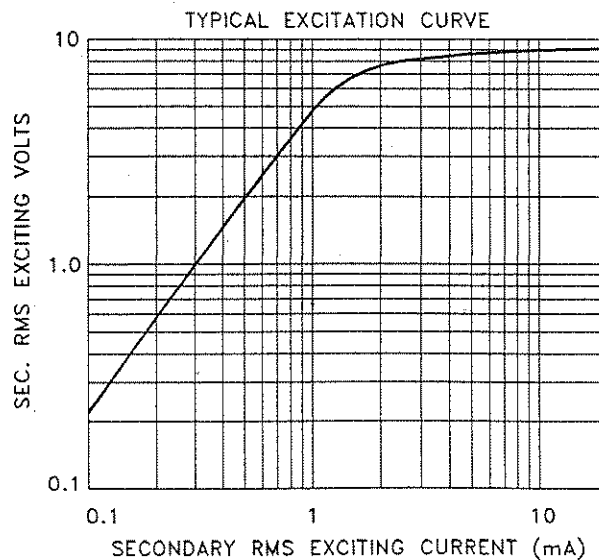
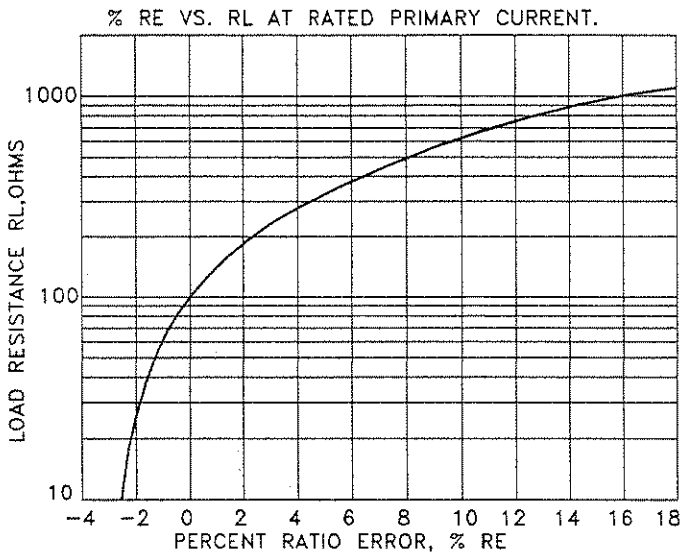
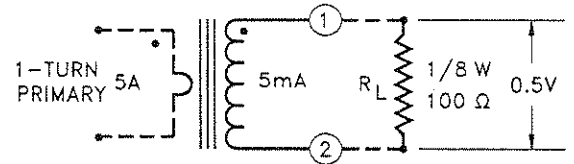
ENVIRONMENTAL SPECIFICATION	
STORAGE TEMP.	-55°C < Tc < +130°C
INSULATION RESISTANCE	100 MEGOHMS MINIMUM.



**NOTES:**

UNLESS REQUESTED, THE TERMINATING RESISTOR AND THE ONE-TURN PRIMARY ARE NOT SUPPLIED

PIN 3: NORMALLY FOR MECHANICAL SUPPORT; MAY BE USED FOR CENTER-TAPPED DESIGNS.



**OUTPUT VOLTS VS. INPUT AMPS FOR VARIOUS OHMIC LOADS**

