



RTI Electronics, Inc.™

1800 E. Via Burton Street
Anaheim, CA 92806-1213

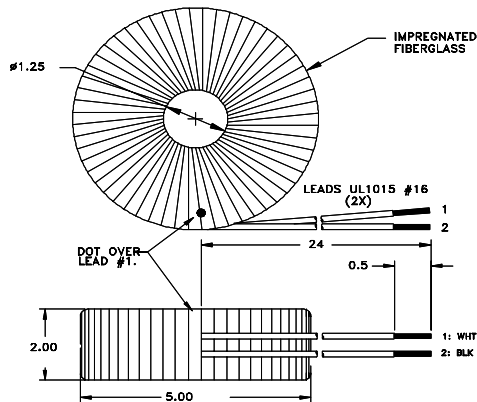
A Wholly Owned Subsidiary of IntriCon Corporation

Phone : 714-765-8200

Fax: 714-765-8201



CURRENT TRANSFORMER MODEL EMRL



APPLICATION: For Ammeters, Wattmeters, Relays and cross current compensation.

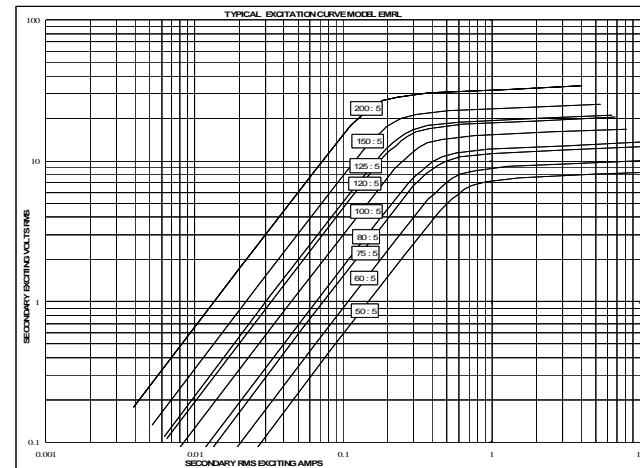
FREQUENCY: 50-400 Hz.

INSULATION CLASS: 0.6kV BIL. 10kV full wave

● Manufactured to meet the requirement of UL1244 and revisions.

● Flexible leads are 105°C, UL1015 #16 AWG, 600V, CSA approved, 24" long.

● Other lead sizes, lengths and colors are available upon request.



P/N	CURRENT RATIO	ACCURACY @		DCR mOHM	WEIGHT LBS
		1 OHM LOAD, 60Hz.	MAX VA @60 Hz.		
EMRL-500	50:5	± 2%	25	17	6.94
EMRL-600	60:5	± 2%	30	21	6.95
EMRL-750	75:5	± 2%	38	27	6.97
EMRL-800	80:5	± 2%	40	29	6.98
EMRL-101	100:5	± 1%	50	36	7.00
EMRL-121	120:5	± 1%	60	44	7.03
EMRL-1251	125:5	± 1%	63	47	7.03
EMRL-151	150:5	± 1%	75	56	7.06
EMRL-201	200:5	± 1%	100	75	7.12